



Endurus

Weapon Stations





About Endurus

In a world that moves faster than the beat of time itself, our vision of enduring resilience and sustainability grows ever stronger. In an age where the moment reigns supreme, we cast our gaze further ahead. Time is our constant companion in our quest to efficiently craft lasting solutions for increased safety.

Rooted in half a century of product development, our brand carries a timeless ambition: to merge the wisdom of yesterday with the needs of tomorrow. With our focus on sustainability over time, we challenge the current approach to product lifecycles. For us, it's not enough to be reliable today and tomorrow; we see it as a vital promise to our customers that what we deliver remains steadfast far into the future.

Our approach to crafting products reflects our philosophy towards the passage of time. Each product is a tribute to durability, and every solution is a step towards a safer world. By adapting to the unique needs that emerge over time, we ensure that each product is more than a temporary tool – it's a part of our vision of lasting safety.

Yet, our commitment to long-term thinking doesn't make us static in our operations. Every moment is precious, and we take pride in our ability to deliver swiftly and precisely: while we plan for the future, we are always ready to meet today's needs.

We consider it our duty to make the most of every second and minute in our continuous pursuit of improvement, protection, and preservation. That's why we create products that contribute to increased safety today, and for all the tomorrows to come.

Endurus – Long lasting security

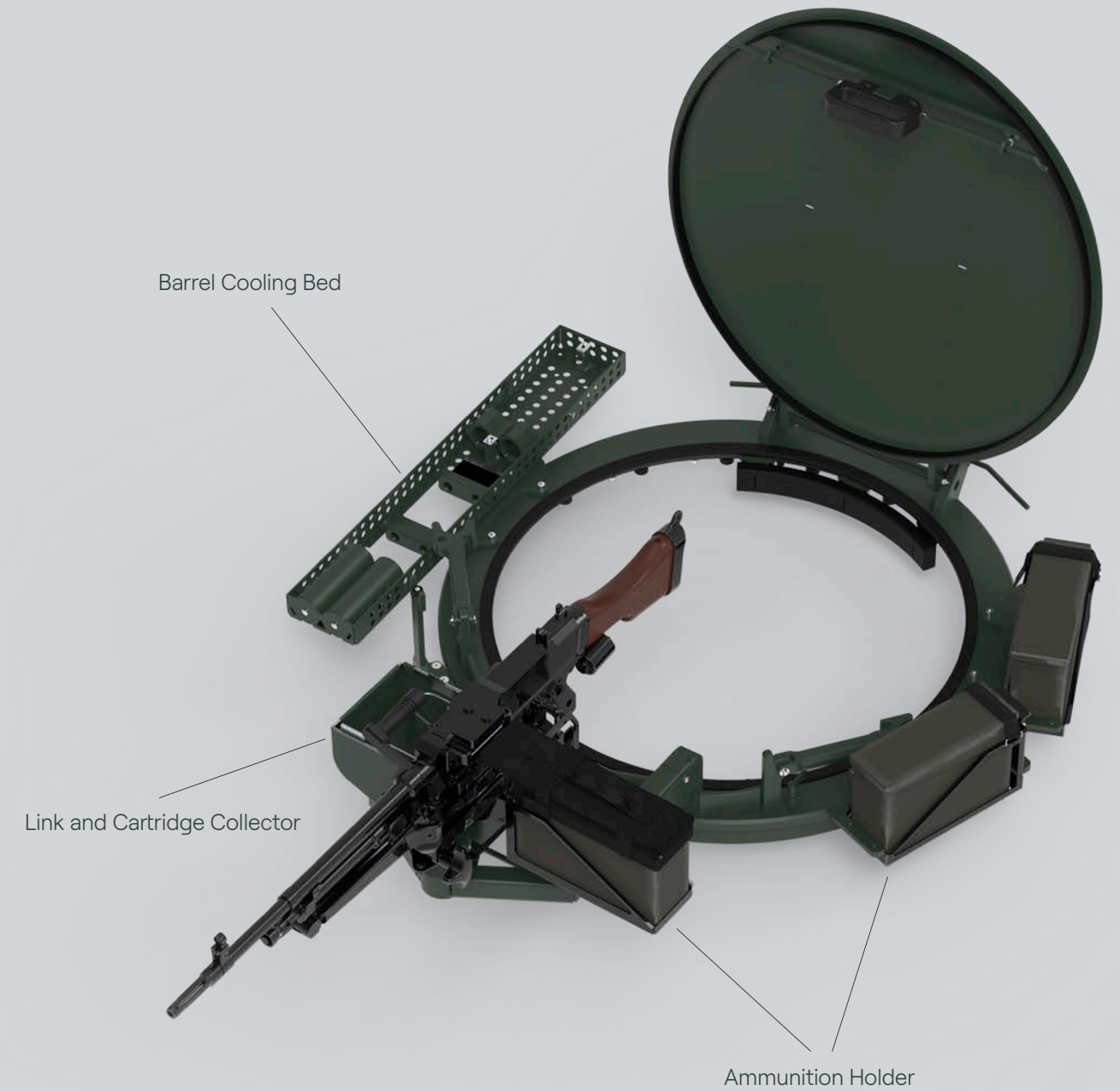


Endurus

Lightweight Ringmount

The Lightweight Ringmount is specially designed to be fitted on unprotected vehicles (soft-skin vehicles) or vessels without the need for frame reinforcement. The Ringmount can be mounted directly on a vehicle roof or on a roof platform. The low weight eliminates the need for motorization or cranks, the rotation of the ring is completely manual and locks into position as soon as the release handle is disengaged. The Ringmount includes an elevation arm with a +40°/-10° elevation angle. The weight of the weapon is also counterbalanced with springs and locks into the desired position as soon as the release lever is disengaged. Weapon interface with G3-taper.

The Lightweight Ringmount can be fitted with a hatch, in aluminium or armored. Some other areas can also be fitted with armour but the design philosophy is Lightweight – making sure there is no need for reinforcing the vehicle structure.



Features

- For soft-skin vehicles
- 360-degree rotation
- +40°/-10° elevation angle
- Weapon mount interface, G3 cone
- Weight 39 kg (25 kg without hatch)
- Weapon load 24 kg
- Total weight with weapon <70 kg

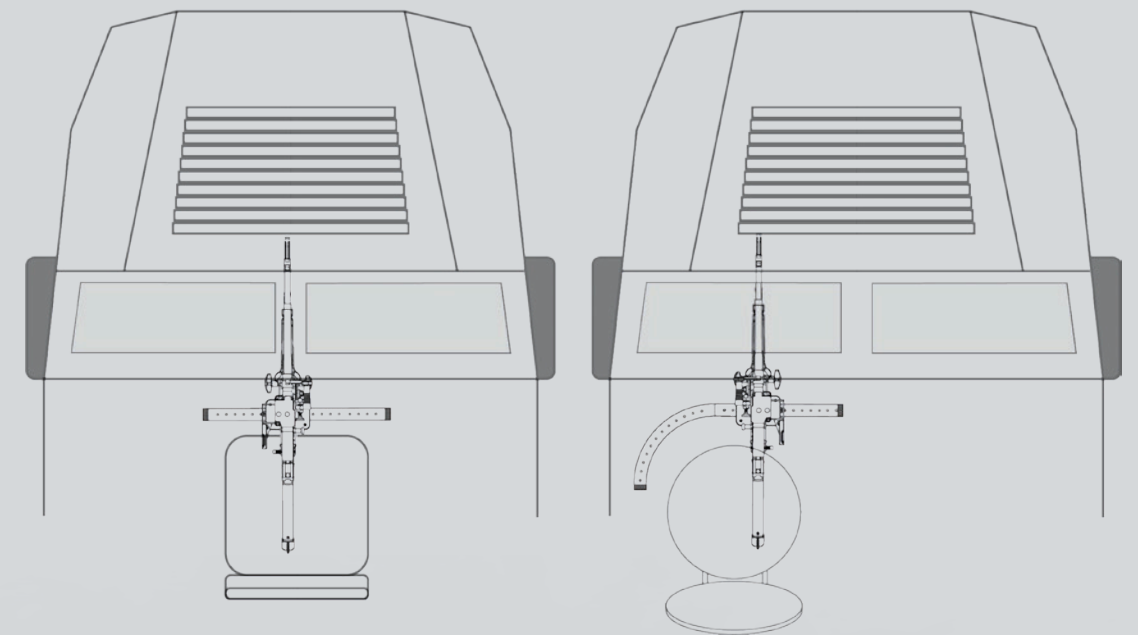
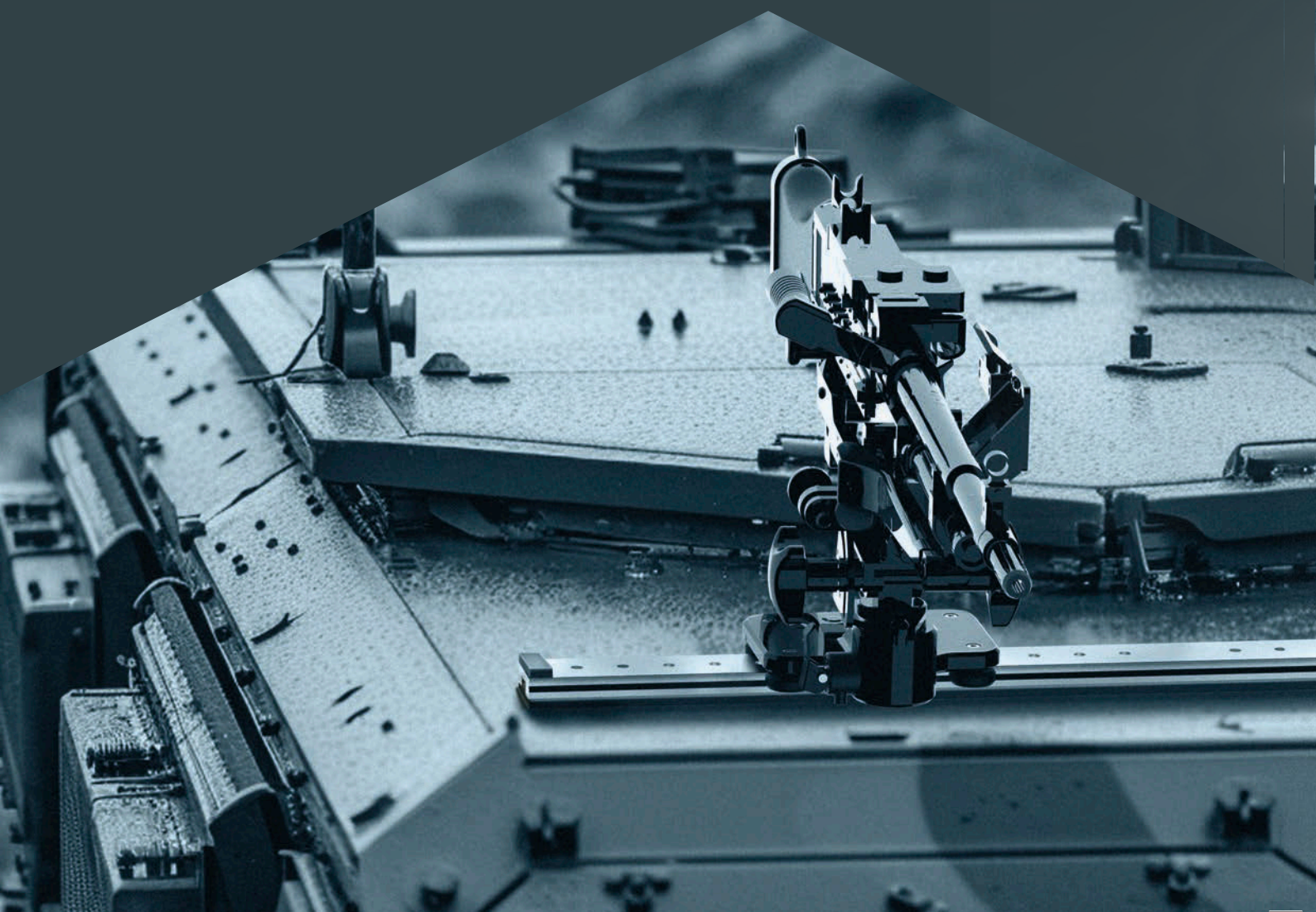


Railmounts

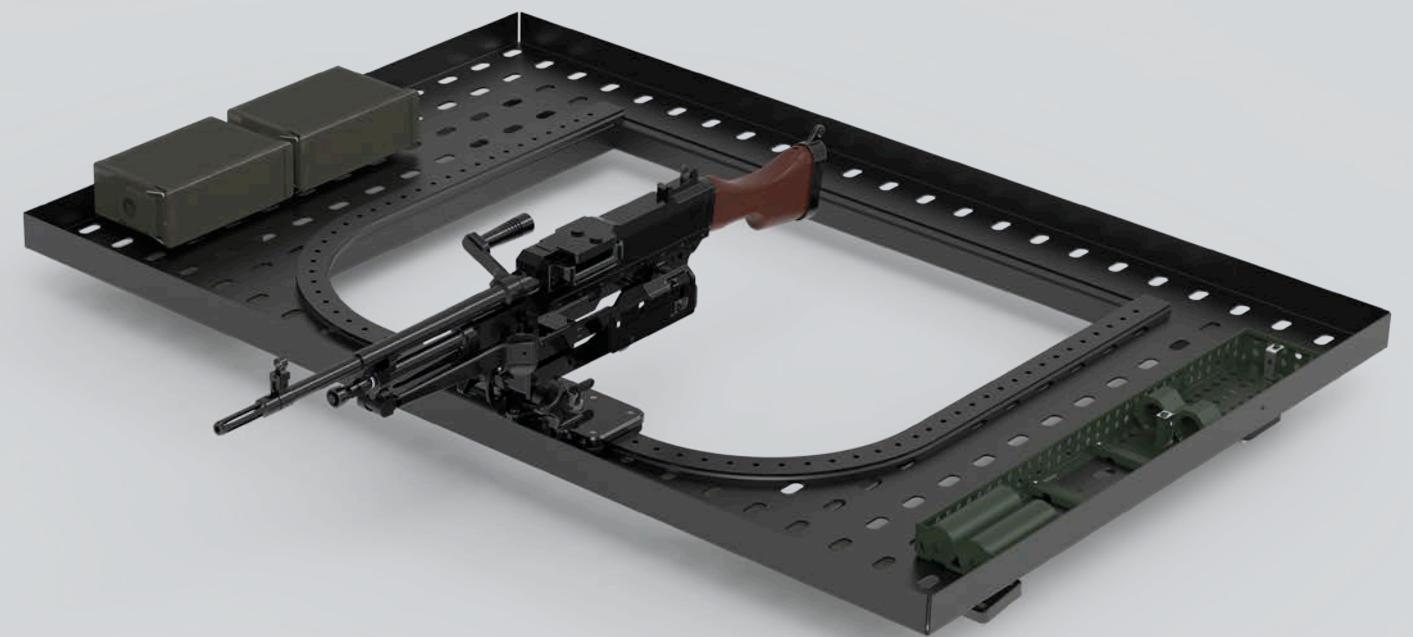
The modular rail system is designed to be adapted to the specific application. Whether the need is only straight sections or round sections are needed to improve the operational angle. The modular rail system can for example be fitted around an existing square or rectangular roof hatch ensuring a robust weapon station with an operational angle of 210° degrees or more. The wagon has a single-handed position locking mechanism and a G3 cone fitting giving the possibility to dismantle the weapon quickly and securely.

The modular rail system can be mounted directly on the vehicle, regardless of whether the vehicle is armoured or not.

We can also offer a custom-made roof platform that fits directly to the existing means of attachments on soft-skin vehicles (unprotected vehicles) in order to ensure easy implementation with minimum work on the vehicle itself. The modular rail system together with accessories can be mounted directly to the roof platform.



Adaptable to your existing roof hatch system



Features

- | | |
|----------------------|---------------------|
| • Operational angle | Up to 360° |
| • Rotation | Manual |
| • Weapon mount | Wagon with G3-cone |
| • Elevation (Option) | -10°, +40° |
| • Armament | 7.62 mm Machine Gun |





www.endurus.com